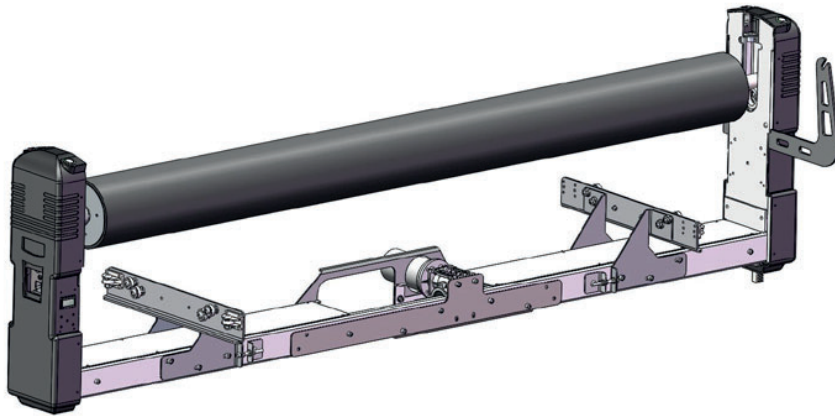


## Evo Hot

### HEAT ASSISTED ROLLER



#### EVO HOT

Standard accessory for CWT Evolution.  
 Heat assisted roller for a faster lamination process.  
 Heat setting between 30–60°C (86–140°F).  
 Combine with Evo Drive for optimized functionality and quality controlled process.

#### FACTS

<b>PART NO</b>	XXX
<b>WIDTH OF WORKING AREA/ROLLER WIDTH</b>	1660mm (5ft. 5in.)
<b>MAX. THICKNESS OF SUBSTRATE</b>	0-100mm (0-4in.)
<b>PRESSURE CONTROL</b>	Electronic, 7 presets
<b>HEAT SETTINGS</b>	30–60°C (86–140°F)
<b>POWER SUPPLY</b>	230V/50Hz (10A) 120V/60Hz (15A)
<b>NET WEIGHT</b>	XX
<b>GROSS WEIGHT</b>	XX
<b>PACKING DIMENSIONS</b>	XX
<b>WARRANTY</b>	2 years

#### FEATURES

<b>FASTER LAMINATION AVOIDING SILVERING</b>	Yes
<b>COLD OR HOT OPERATION</b>	Yes
<b>SHEET TO SHEET LAMINATION</b>	Yes
<b>PATENDED HEATING TECHNOLOGY</b>	Yes
<b>STEPLESS HEAT SETTINGS</b>	Yes

#### HEATING TIME

°C	°F	Time
30	86	22 min
35	95	26 min
40	104	29 min
45	113	39 min
50	122	44 min
55	131	49 min
60	140	54 min